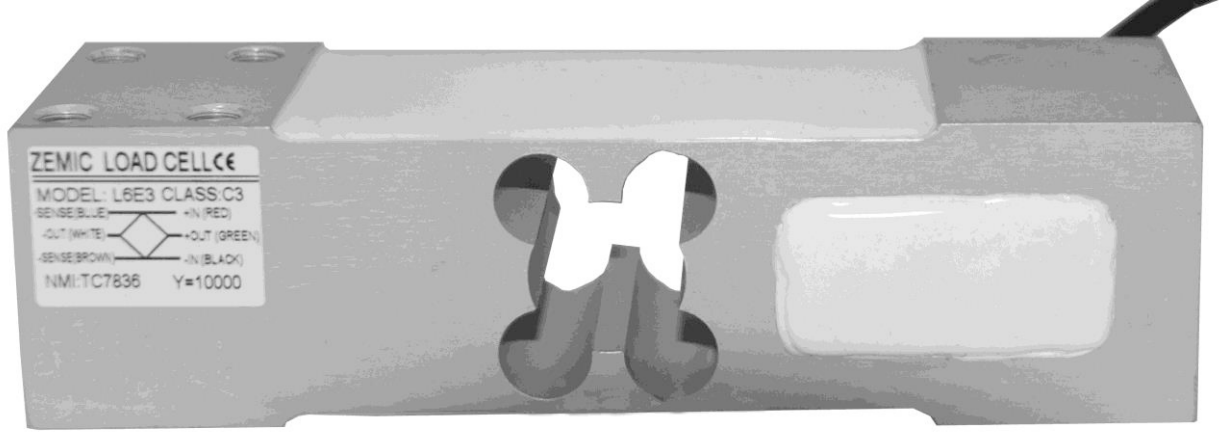


Type L6E3 Load Cell



Short description



Aluminium-alloy IP65 single point load cell.
Colourless anodized
Suitable for pricing scales, bench scales, etc.
Maximum platform size: 450 x 450 mm



test certificate no. TC7836 Revision 1
C of C no R60/2000-NL1-10.34

Certificate no. 11-062

Available models

Capacity	Accuracy	Full article description
50kg	C3/C4	L6E3-C3/C4-50kg-3G
100kg	C3/C4	L6E3-C3/C4-100kg-3G
150kg	C3/C4	L6E3-C3/C4-150kg-3G
200kg	C3/C4	L6E3-C3/C4-200kg-3G
250kg	C3/C4	L6E3-C3/C4-250kg-3G
300kg	C3/C4/C5	L6E3-C3/C4/C5-300kg-3G
400kg	C3/C4/C5	L6E3-C3/C4/C5-400kg-3G
500kg	C3/C4/C5	L6E3-C3/C4/C5-500kg-3G

Type L6E3 Load Cell

Detailed specifications L6E3

Accuracy class		OIML R60 C3	OIML R60 C4	OIML R60 C5
Output sensitivity (= FS)	mV/V	2.0 ± 0.2		
Maximum capacity (E _{max})	kg	OIML R60 C3 50, 100, 150, 200, 250, 300, 400, 500	2.0 ± 0.2	300, 400, 500
Max.number of load cell intervals	n _{LC}	3000	4000	5000
Ratio of min. LC verification interval	Y = E _{max} / V _{min}	10000	15000	20000
Combined Error	%FS	≤± 0.0230 3000 10000	≤± 0.0175	≤± 0.0140
Minimum dead load	Of E _{max}	0%		
Safe overload	of E _{max}	150 %		
Ultimate overload	of E _{max}	300 %		
Zero balance	of FS	< ± 2.0 %		
Excitation, recommended voltage	V	5 ~ 12		
Excitation maximum	V	18		
Input resistance	Ω	406 ± 6		
Output resistance	Ω	350 ± 3.5		
Insulation resistance	MΩ	≥5000 (at 50VDC)		
Compensated temperature	°C	-10 ~ +40		
Operating temperature	°C	-35 ~ +65		
Storage temperature	°C	-40 ~ +70		
Element material		Aluminium		
Ingress Protection (acc. to EN 60529)		IP65		
Recommended torque on fixation	Nm	M8:25		

bolts

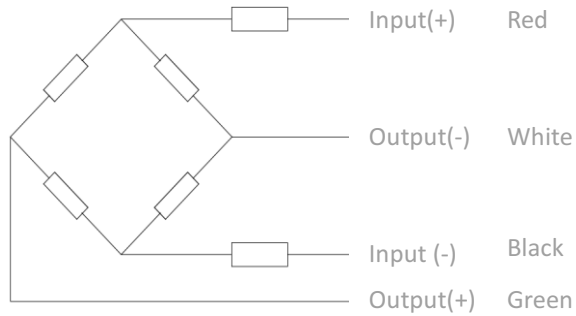
> 30kg: 10

Wiring

Wiring:

Shielded, 4 conductor cable.
Cable diameter: Ø5.3mm.
Standard cable length: 3m.
Shield connected to element.
Cable jacket in PVC.

4-wire diagram



Type L6E3 Load Cell

Dimensions in mm

