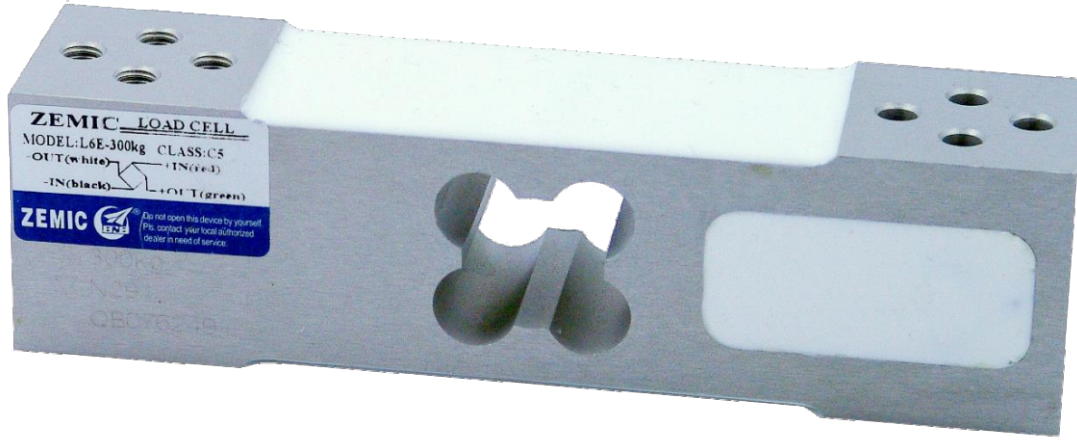



Type L6E Load Cell



Short description



Aluminium-alloy IP65 single point load cell.
Colourless anodized
Suitable for pricing scales, bench scales, etc.
Maximum platform size: 400 x 400 mm

 test certificate no. TC7838 Revision 1
C of C no R60/2000-NL1-10.22

 Certificate no. 11-062

Available models

Capacity	Accuracy	Full article description
50kg	C3/C4/C5	L6E-C3/C4/C5-50kg-2B
60kg	C3/C4/C5	L6E-C3/C4/C5-60kg-2B
80kg	C3/C4/C5	L6E-C3/C4/C5-80kg-2B
100kg	C3/C4/C5	L6E-C3/C4/C5-100kg-2B
150kg	C3/C4/C5	L6E-C3/C4/C5-150kg-2B
200kg	C3/C4/C5	L6E-C3/C4/C5-200kg-2B
300kg	C3/C4/C5	L6E-C3/C4/C5-300kg-2B

Type L6E Load Cell

Detailed specifications L6E

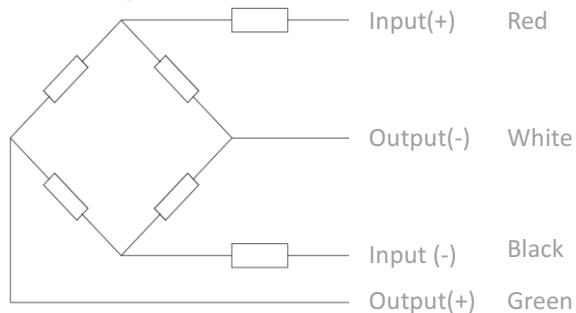
Accuracy class		OIML R60 C3	OIML R60 C4	OIML R60 C5
Output sensitivity (= FS)	mV/V	2.0 ± 0.2		
Maximum capacity (E _{max})	kg	OIML R60 C3 50, 60, 80, 100 150, 200, 300	2.0 ± 0.2 50, 60, 80, 100 150, 200, 300	50, 60, 80, 100 150, 200, 300
Max.number of load cell intervals	n _{LC}	3000	4000	5000
Ratio of min. LC verification interval	Y = E _{max} / V _{min}	10000 3000	15000	20000
Combined Error	%FS	≤ ± 0.0230 10000	≤ ± 0.0175	≤ ± 0.0140
Minimum dead load	Of E _{max}	0%		
Safe overload	of E _{max}	150 %		
Ultimate overload	of E _{max}	300 %		
Zero balance	of FS	< ± 2.0 %		
Excitation, recommended voltage	V	5 ~ 12		
Excitation maximum	V	18		
Input resistance	Ω	406 ± 6		
Output resistance	Ω	350 ± 3		
Insulation resistance	MΩ	≥5000 (at 50VDC)		
Compensated temperature	°C	-10 ~ +40		
Operating temperature	°C	-35 ~ +65		
Storage temperature	°C	-40 ~ +70		
Element material		Aluminium		
Ingress Protection (acc. to EN 60529)		IP65		
Recommended torque on fixation bolts	Nm	M6:20 > 30kg: 10		

Wiring

Wiring:

Shielded, 4 conductor cable.
Cable diameter: Ø5.3mm.
Standard cable length: 2m.
Shield not connected to element.
Cable jacket in PVC.

4-wire diagram



Type L6E Load Cell

Dimensions in mm

